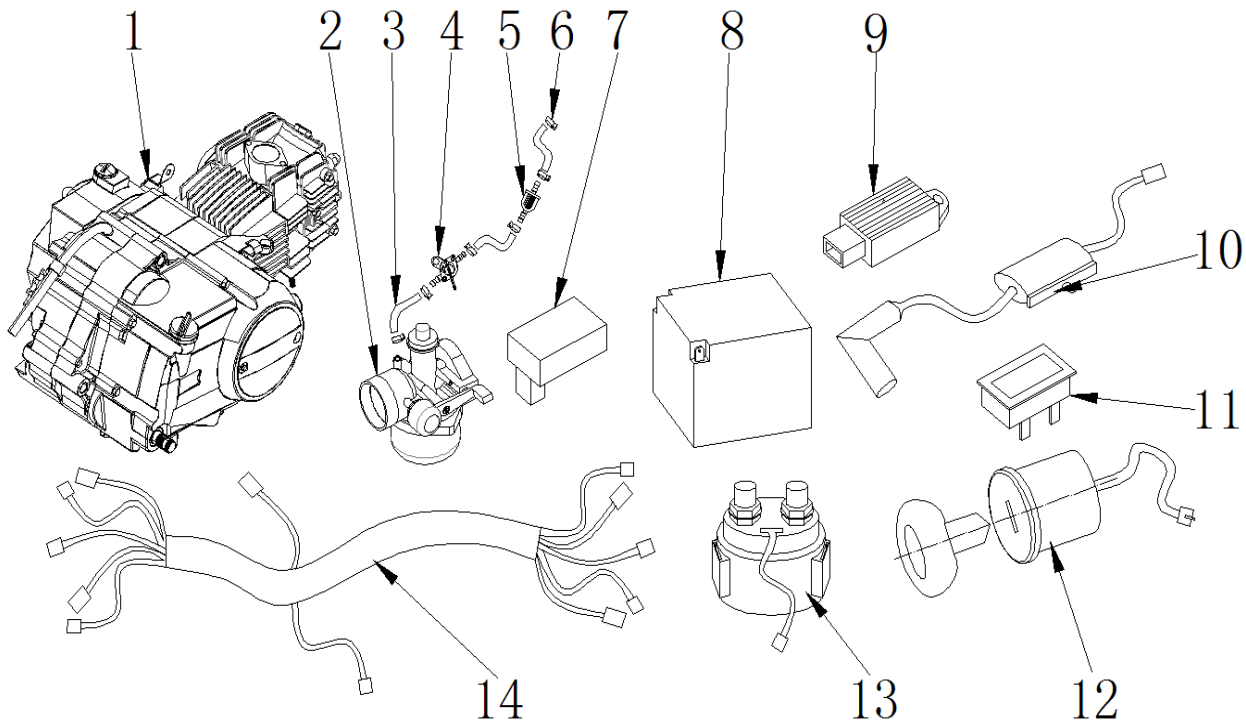




SHSCHEMATICS AND PARTS LIST

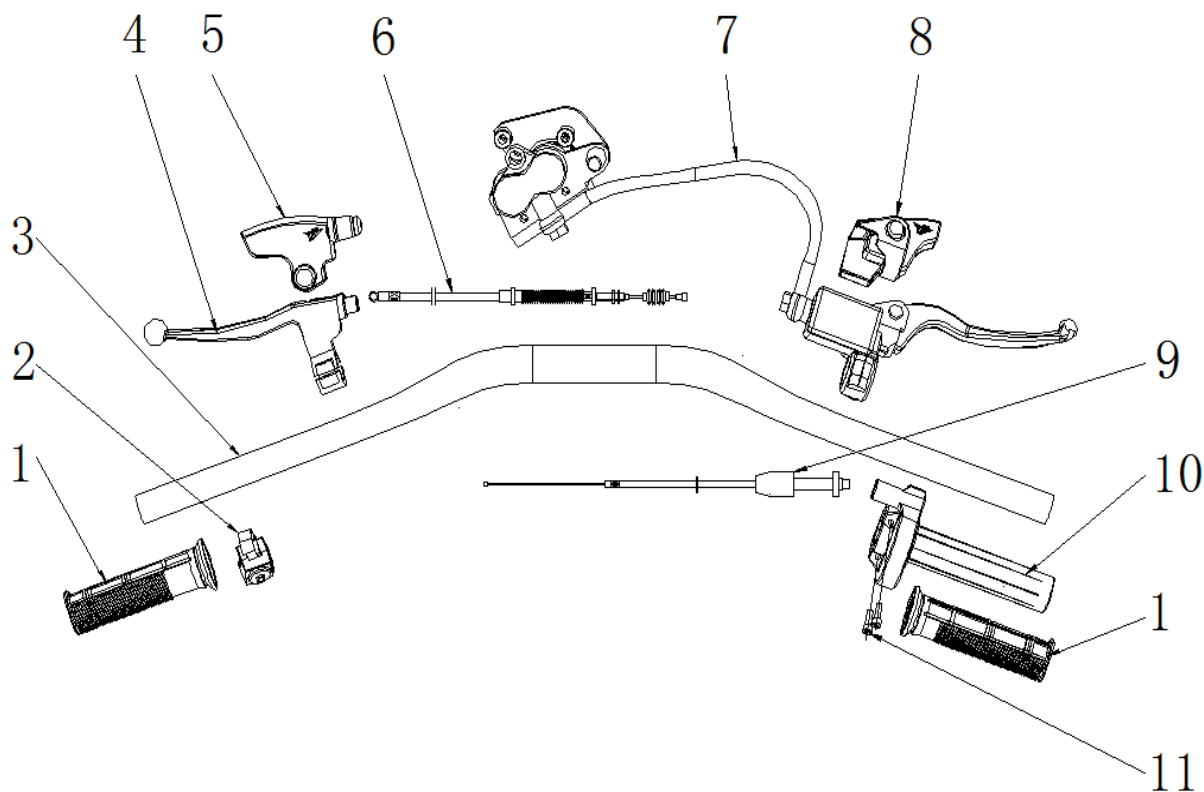
No.	Part No.	Type	Description
VM125			

# INFORMATION:



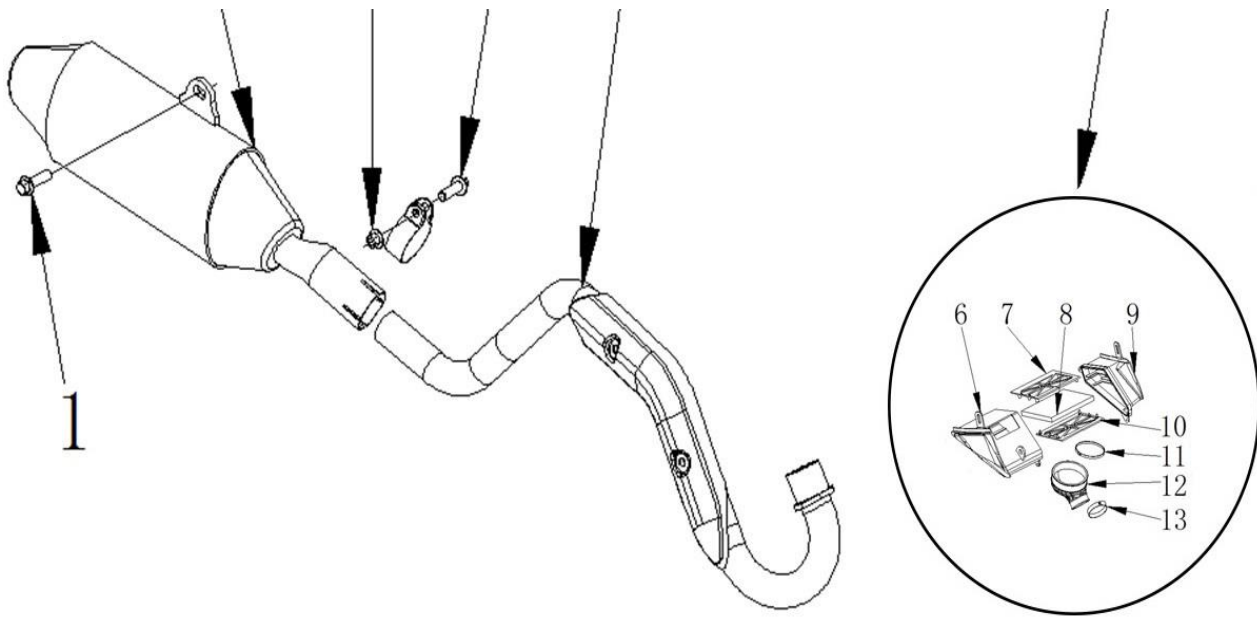
汽油机总成 ENGINE ASSY.			
序号	件号	规格型号	英文名称

No.	Part No.	Type	Description
1	202037191001	37-3C 卧脚手 125CC 154FMI 无标 A7RTC火	Engine
2	301014144002	PZ26B1-3E-主量孔0.86 泡沫管(6-0.65, 6-	Carburetor
3	312004003002	∅4.5X∅8.5(单位:米)	FUEL HOSE
4	312005005001	29	Fuel tank switch
5	312003005002	塑料 黄色纸芯式	FUEL FILTER
6	319005003001	∅9X8X0.8	HOSE CLAMP
6	319005003001	∅9X8X0.8	HOSE CLAMP
7	315001034001	CG进角点火器 (无商标)EPA-打码:Y-36-082	CDI ASSY.
10	315003004002	易力屏蔽高压包 12V-2.8插片2孔插件_带90	COIL ASSY, IGNITION
12	316008007001	四线二档(通用)	IGNITION KEY ASSY
14	315007282001	EPA-37-3C 脚启动状态	HARNESS (KICK-START)

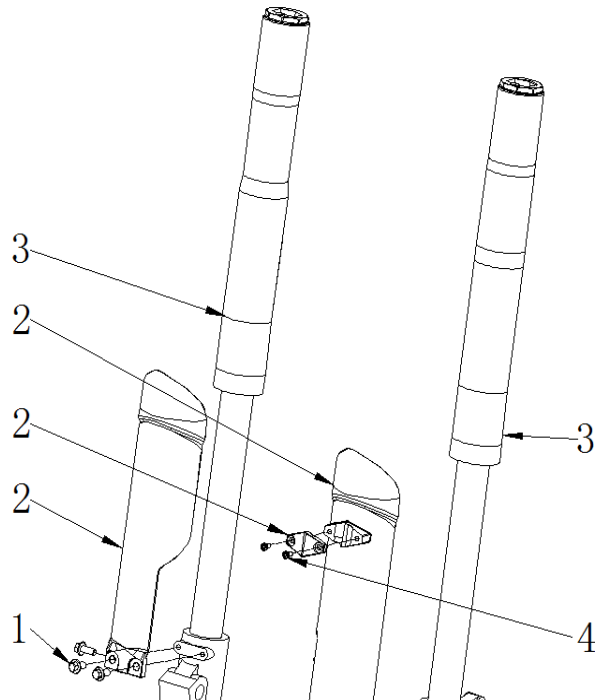


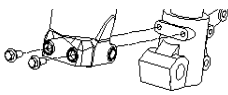
手把操纵件 HANDLE CONTROLLER

序号	件号	规格型号	英文名称
No.	Part No.	Type	Description
1	310003014006	AM款 弹性体TPE	Handle grip (L & R)
2	316004001001	35-圆形-750mm	KILL Switch
3	310001053050	37-7 低缩管变径 长770mm 配全包熄火开关	Handle Bar
4	310009029001	37-5 安装孔到球头中心度130mm 铝把 配螺	Clutch lever
	310011009002	37-5/34-2 安装孔到球头中心长度117mm 铝	brake lever
5	310018008002	RXF-带商标_厚度1.5mm 橡胶	Clutch Handle Dust Cover
6	310015029001	长900mm 露71mm 双截型	Clutch Cable
7	308001083001	37-3C- (17/14轮 配770mm前减震) -大油泵	Front Brake Assy.
8	310018007002	RXF-带商标_厚度1.5mm 橡胶	Front brake Handle Dust Cover
9	310013041001	长810mm 露124±1mm 配铁螺母 配698Z轴承	Throttle Cable
10	310007014001	配22mm方向把 M10油门线安装孔 铝	Throttle Housing
11	403005013001	M5X16 8.8级(GB/T70.1)	bolt
	308009004002	五羊型(29B、30、38-2、37-3、37-5前碟刹)	front brake pad



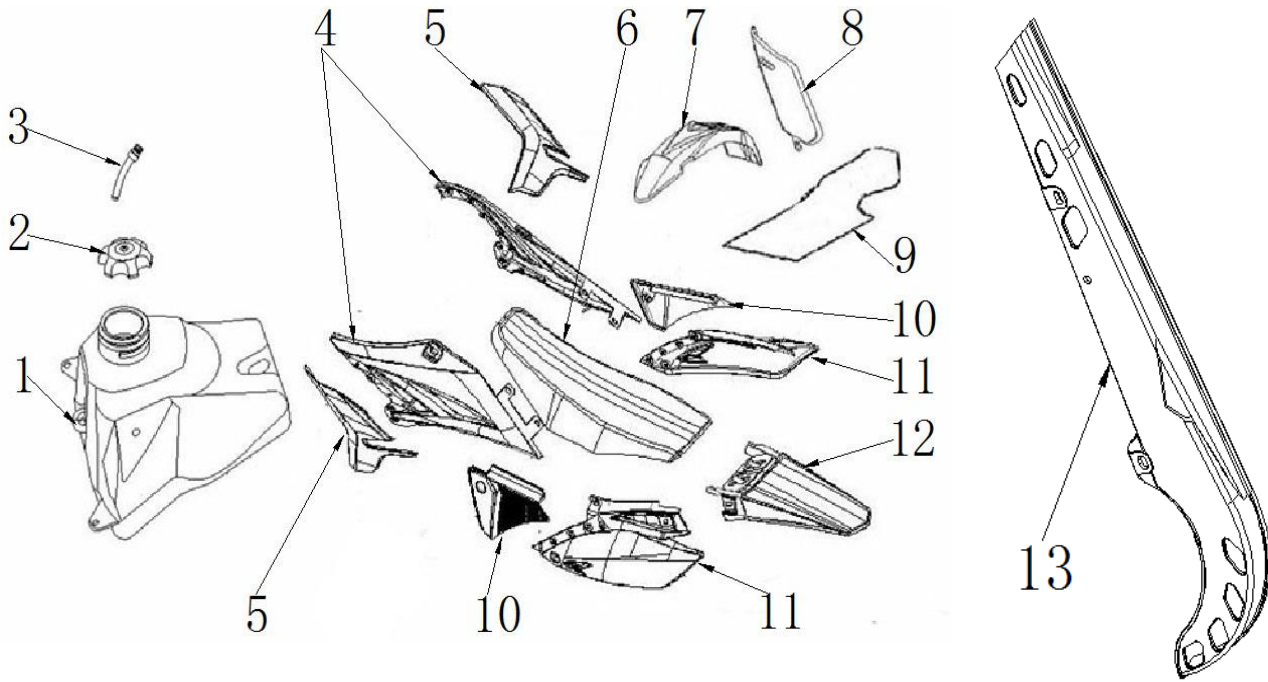
空滤器/消声器 AIR FILTER/MUFFLER			
序号	件号	规格型号	英文名称
No.	Part No.	Type	Description
1	401001049001	M8X20mm 8.8级 (GB/T 5789)	Bolt
2	302003139001	37-3C(140脚状态)_附件_排气管与消声器连	muffler
3	404004002001	M8 (GB/T 6187.1)	nut
4	401001057001	M8X40mm 8.8级 (GB/T5789)	Bolt
5	302002079001	EPA-37-3C车型 (140脚状态) 带接口垫	exhaust pipe
6	301026001002	37-3	air cleaner right cover
7	301031001001	37-3 海棉内芯卡板上 (145*110)	air cleaner cover (up)
8	301032005001	37-3 (165*122*10)	air cleaner element
9	301025001002	37-3	air cleaner left cover
10	301030001001	37-3 海棉内芯卡板下 (145*104)	air cleaner cover (down)
11	301034010001	Φ80-Φ100mm	air cleaner hoop
12	301033005001	37-3 天然丁氰橡胶 安装孔直径Φ41 Φ82	Air Inlet Housing
13	301034004001	37-3 Φ32-Φ44	air cleaner hoop
14	301021133001	37-3 盒状(含海绵滤芯) 带抱箍 带补气嘴	air cleaner





前减震 FR. DAMPER

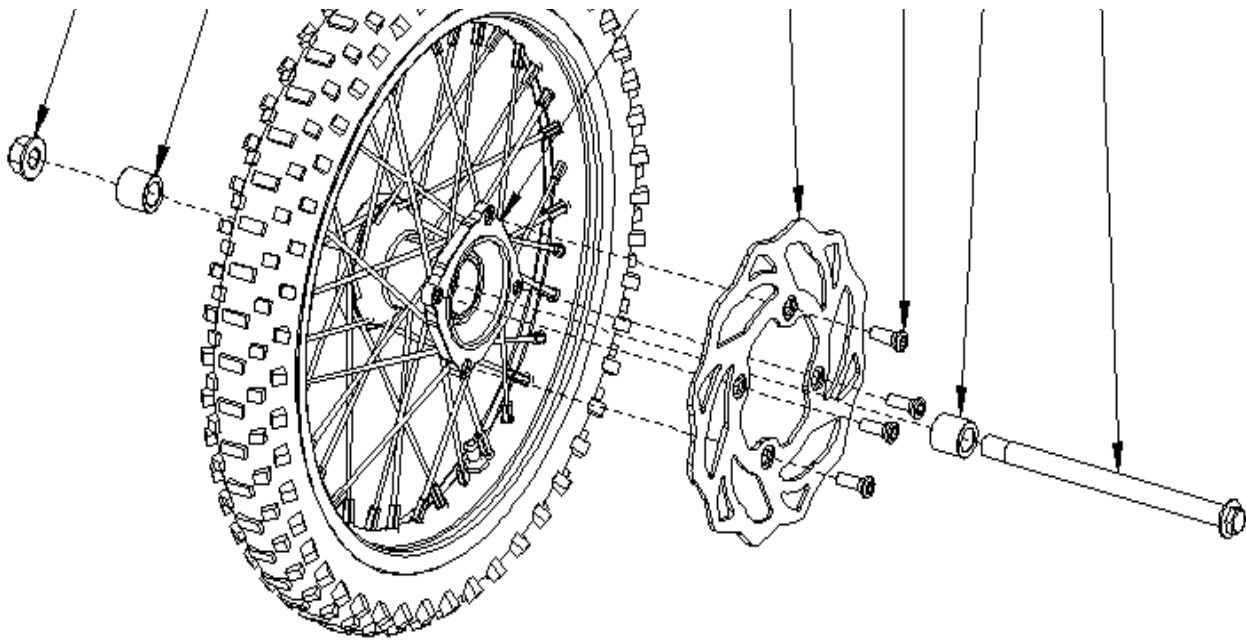
序号	件号	规格型号	英文名称
No.	Part No.	Type	Description
1	401001007001	M6X16mm 8.8级 (GB/T 5789)	bolt
2	304010006002	前减震装饰片 白色	Front fork cover
3	305001067002	37-3C 不可调 770mm 45/48 (配14/17轮状态)	Front shock
4			



车体盖 SEAT / PLASTICS

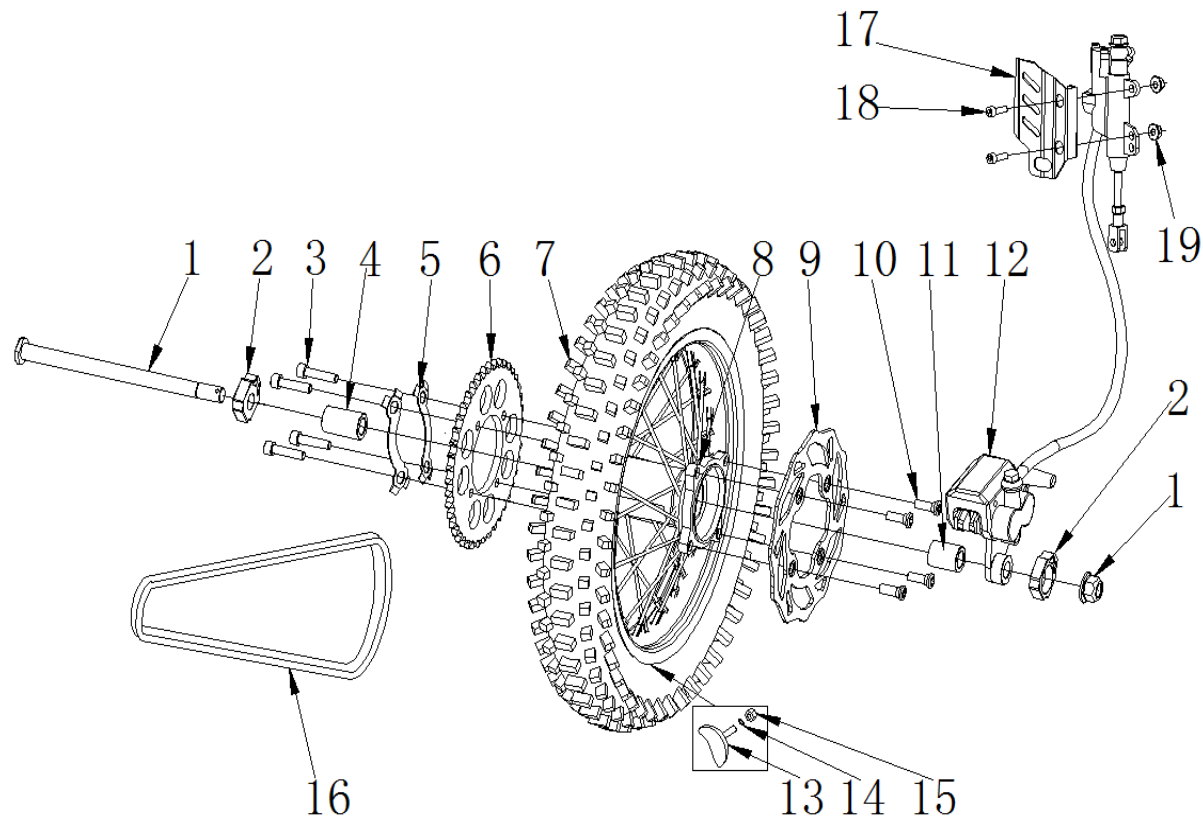
序号	件号	规格型号	英文名称
No.	Part No.	Type	Description
1	312001026001	37TTR-2 座垫卡件尺寸宽8mm_EPA_阿波罗公	fuel tank
2	312002017001	37CRF 油箱盖EPA(打码Y-36-01050100) 不带	fuel tank cap
4	304001010002	37YZF	L. & R. Plastic For Gas tank
5	304004002001	37YZF	L. & R. Plastic For Gas tank
6	313001209002	37-3 SC0款-黑色荔枝纹防滑式坐垫皮	Seat
7	304015018003	CRF110款	Front Fender
8	304013022002	CRF110款	Number Plate
9	304066102001	37-3C 黑色丁睛橡胶件_3.0mm厚	Rear fender
10	304008001001	37YZF (37-3)	L. & R. Rear size plastic cover
11	304005012002	37YZF	L. And R. Side Plastic for back
12	304009008002	37YZF	Rear fender
13	304032001020	半包型	Chain Cover





前轮/前碟刹 FR. WHEEL/FR. BRAKE ASSY.

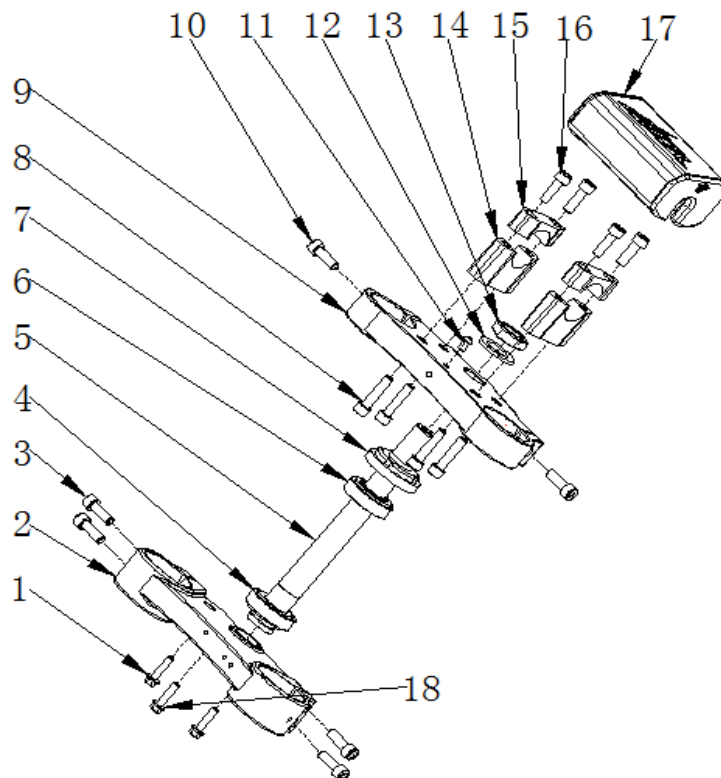
序号	件号	规格型号	英文名称
No.	Part No.	Type	Description
1	401002075006	M14X1.5X215mm (轴 $\phi$ 15mm) 10.9级 带螺母	bolt
2	319001179003	$\phi$ 15.5X $\phi$ 22X17.5mm	spacer
3	307005025001	深纹 70/100-17(内胎2.5/2.25-17) YUANXI	Front Tyre(with inner tube)
4	307003007005	37-5 F-M14-1.6X17(广东款) 轮毂内衬套内	Front Rim
5	308002012001	37-3 内孔 $\phi$ 76 外径 $\phi$ 220 花盘	Front Brake disc
6	403004026002	M8X14mm 台阶2mm(GB/T70.2)-广东款碟刹盘	Bolt
7	319001191001	$\phi$ 15.5X $\phi$ 22X28mm	spacer



后轮/后制动器 RR. WHEEL/RR. BRAKE ASSY.

序号	件号	规格型号	英文名称
----	----	------	------

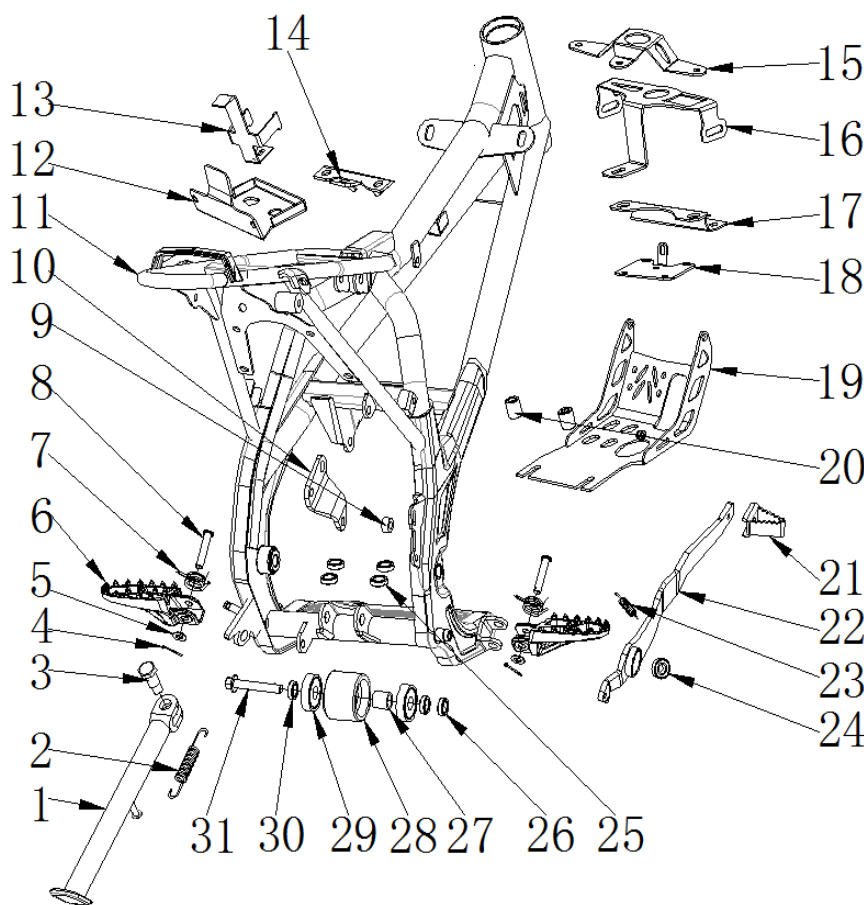
No.	Part No.	Type	Description
1	401002080001	M14X1.5X225mm_10.9级_带螺母(GB/T 16674)	bolt
2	306006013006	37-5-铝-方形-Φ15.5mm-36X31mm	chain adjuster
3	401003005001	M8X25mm_8.8级(GB/T 5783)	bolt
4	319001260001	Φ15.5XΦ22X33.5mm	spacer
5	318017004002	定位孔直径92mm	WHORL GASKET
6	311003054002	428_43T_中间内限位孔Φ76_RXF花纹	rear sprocket
7	307005026001	深纹_90/100-14(内胎3.00/2.75-14)_YUANX	Rear Tyre(with inner tube)
8	307004019005	F-M14-1.85X14(广东款)_带防滑块固定孔Φ	Rear wheel
9	308004010001	37-3_内孔Φ76_外径Φ190_花盘	Rear brake disc
10	403004026002	M8X14mm_台阶2mm(GB/T70.2)-广东款碟刹盘	bolt
11	319001186001	Φ15.5XΦ22X22mm	spacer
12	308003084001	37-8_大双泵抛丸本色_支架银色_后碟刹上泵	Rear brake assy
13	307010101001	通用	skidproof for rear wheel
14	405006048001	Φ8XΦ16X1.6(GB/T 97.1)	washer
14	405003011002	Φ8(GB/T 93)	washer
15	404001005001	M8_要求S=12mm(GB/T 6170)	nut
16	311001083001	428-114节_SFR	Chain
17	304030001004	37-3_ABS材料	rear brake pump cover
18	401001020001	M6X40mm_8.8级(GB/T 5789)	bolt
19	404004001001	M6(GB/T 6187.1)	Nut
	308009018002	大A博士, LT-F888	Rear brake pad



方向把/方向柱 HANDLE BAR/STEERING STEM

序号	件号	规格型号	英文名称
No.	Part No.	Type	Description

1	401001007001	M6X16mm 8.8级(GB/T 5789)	bolt
2	310022132001	37(样式同29) 铝锻造(不带螺栓) 带反光片	bottom clamp
3	403005043002	M6X20mm 8.8级(GB/T70.1)	bolt
4	409003008001	RXF GB/T 297-1994 320/23.5(非标)	tapered roller bearing
5	608002013001	RXF37-7 内孔直径10mm 橡胶塞位置直径13mm	steering column
6	409003009001	RXF GB/T 297-1994 320/22 (d=Φ22, D=Φ4)	tapered roller bearing
7	310024002002	M22 大锁母(M22X1XΦ53盖内孔)	Nut
8	401001057001	M8X40mm 8.8级(GB/T5789)	bolt
9	310021022001	37 铝锻造 减震固定孔径45mm(不带螺栓)方	upper clamp
10	403005058003	M8X20mm 8.8级(GB/T70.1)	bolt
11	403004008007	M6X10mm 4.8级 圆头直径12mm(GB/T70.2)	bolt
12	405006025001	Φ22XΦ36X1	washer
13	404012001001	M22mm 厚度10mm	nut
14	310020011001	37-5 60X22X54mm 内孔直径28mm 低配	handlebar riser bottom
15	310019016001	37-3 60X22X20mm 内孔直径28mm 低配	handlebar riser upper
16	403005061002	M8X25mm_8.8级(GB/T 5783)	bolt
17	304035008002	37-7 Volt 商标	handlebar foam

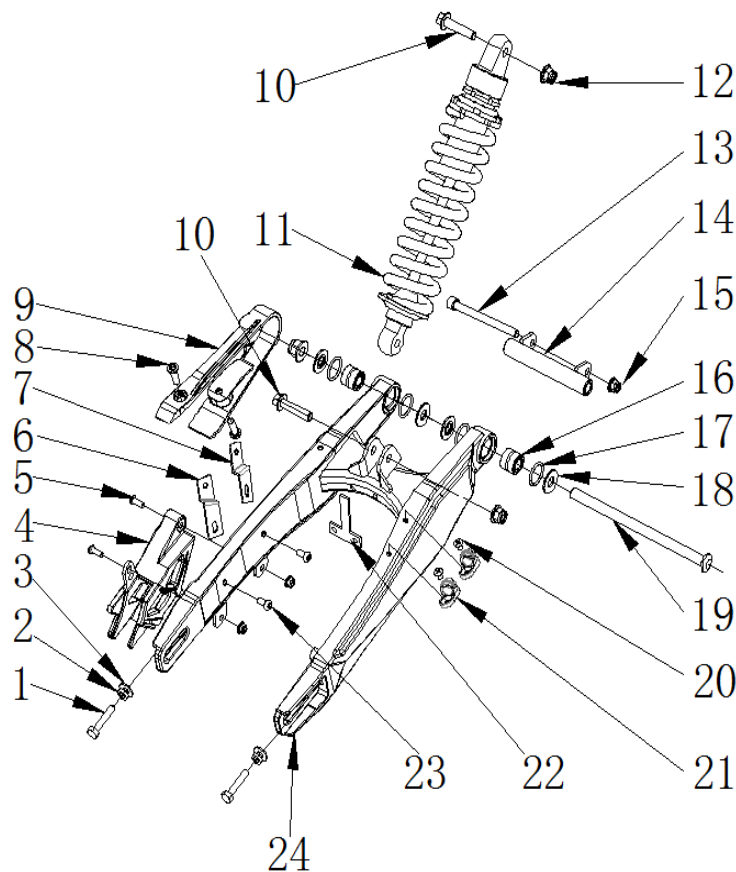


车架 FRAME

序号	件号	规格型号	英文名称
No.	Part No.	Type	Description
1	303012056002	37-3C(17/14)_焊缝管Φ22X2.0mm长355mm	side stand
2	319007029002	总长115_中心距100_中心直径Φ14_弹簧直径	side stand spring
3	319011017001	M10X24.5mmX1.25(台阶Φ12X12.5mm)_8.8级	kick stand bolt
4	407005004001	Φ2.5X20mm(GB/T 91-2000)	split pin
5	405006047001	Φ8XΦ16X1	washer
6	303010003101	37-5_安装孔为Φ8.2mm_安装头部开档尺寸为	foot peg
7	319007012002	37-5_3圈_内径Φ18mm_弹簧钢丝直径Φ2.0mm	foot peg spring
8	407006002003	Φ8X38mm-孔位34(GB/T882-1986)	foot peg pin



9	601001503003	37YZF-3C车型(140脚状态)_冷轧板5.0mm	Connect plate
10	319001242002	Φ9XΦ16X8mm_铁	spacer
11	303001448003	EPA-37-3C-配140脚汽油机-带反射器支架	Frame Red
14	303038016002	37-3C_冷轧板_2.5mm	fuel tank bracket
15	303028009002	37-3C_冷轧板_2.0mm	number plate bracket
18	601067201001	37-3C(19/16)	Front fender bracket
19	303049002050	21-脚_铁	engine bottom plate
20	319001088001	Φ8.5XΦ16X20mm_铁	spacer
22	310031063003	37-3C_板厚_6.0mm-配140CC状态	foot brake lever
23	319007039002	总长45mm_弹簧直径Φ1mm_有效圈数15圈	foot brake lever spring
24	409002021001	GB/T 276_6000RS (d=10, D=26, B=8)	deep groove ball bearing
26	404006005002	M8[GB/T 889.1-2000]	nut
27	319001115001	Φ9XΦ12X12mm_铁	spacer
28	311005001001	通用	chain roller (bottom)
29	409002023001	GB/T 276_608ZZ (d=8, D=22, B=7)	deep groove ball bearing
30	319001082001	Φ8.5XΦ11X4mm_铁	spacer
31	401001034002	M8X1.25X50-F_8.8级(GB/T5789)	bolt



后叉 RR. SWINGARM

序号	件号	规格型号	英文名称
No.	Part No.	Type	Description
1	401003012001	M8X60X1.25 8.8级 全螺纹(GB/T 5789)	bolt
2	404001005001	M8 要求S=12mm(GB/T 6170)	nut
3	405006048001	Φ8XΦ16X1.6(GB/T 97.1)	washer
4	306007005006	37-5 铁后叉	chain guide
5	401001046001	M8X16mm 8.8级(GB/T 5789)	bolt
6	303073012050	RXF_AGB37-7 铁板2.0mm	Chain cover fixing bracket
7	303073011050	RXF_AGB37-7 铁板2.0mm	Chain cover fixing bracket
8	403011020001	M6X10mm 4.8级(GB/T819.1)	bolt

9	304034004001	37-5	chain guide for swing arm
10	401001001001	M10X1.25X40-F 8.8级(GB/T5789)	bolt
11	306001108002	37-3C_单可调_L=350mm_不带摇架后平叉	Rear shock
12	404005003001	M10X1.25(GB/T 6187.2)	nut
13	403005050001	M8X105mm 8.8级(GB/T70.1)	bolt
14	303017005002	37RXF-3C	engine rear bracket
15	404004002001	M8(GB/T 6187.1)	nut
16	409004001001	NA 6901 (d=12, D=24, B=22)	bearing
17	262002001001	23.5X2.65 G GB/T 3452.1-1992	o-ring
18	319002129001	Φ12.5XΦ28.5X2.5mm(台阶Φ17X0.5)_铁	bearing spacer
19	603001093001	M12X1.25X250mm 有效螺纹22mm 10.9级 带螺	bolt
20	403011020001	M6X10mm 4.8级(GB/T819.1)	bolt
21	318001026002	APOLLO 材料ABS 16.5X125-Φ6.6-55mm	rear brake tube clip
22	603002001004	37-3 (借用38后挡泥板T型架_成型)	T-type bracket
23	403004008007	M6X10mm 4.8级 圆头直径12mm(GB/T70.2)	bolt
24	306005146002	37-3C后减震安装孔距113mm	Rear swing arm







